
OSPF (Open Shortest Path First)

Figure-1

Areas in an autonomous system

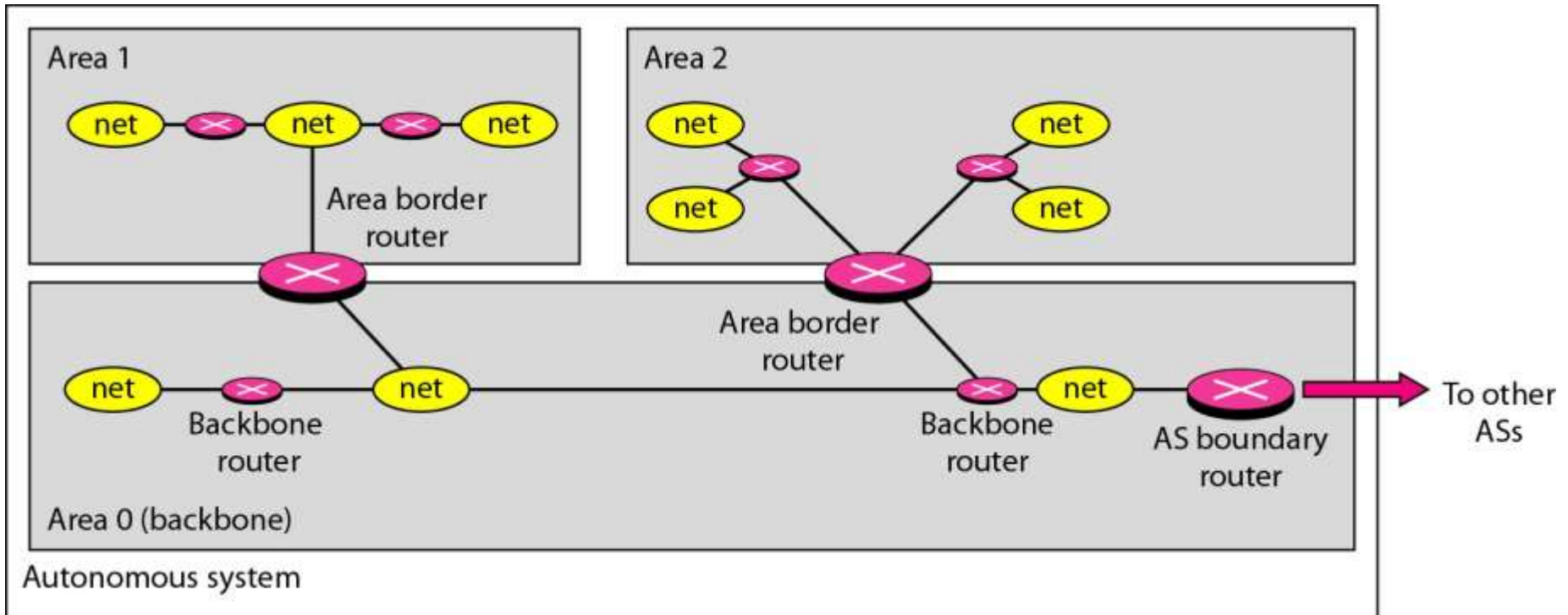


Figure-2

Types of links

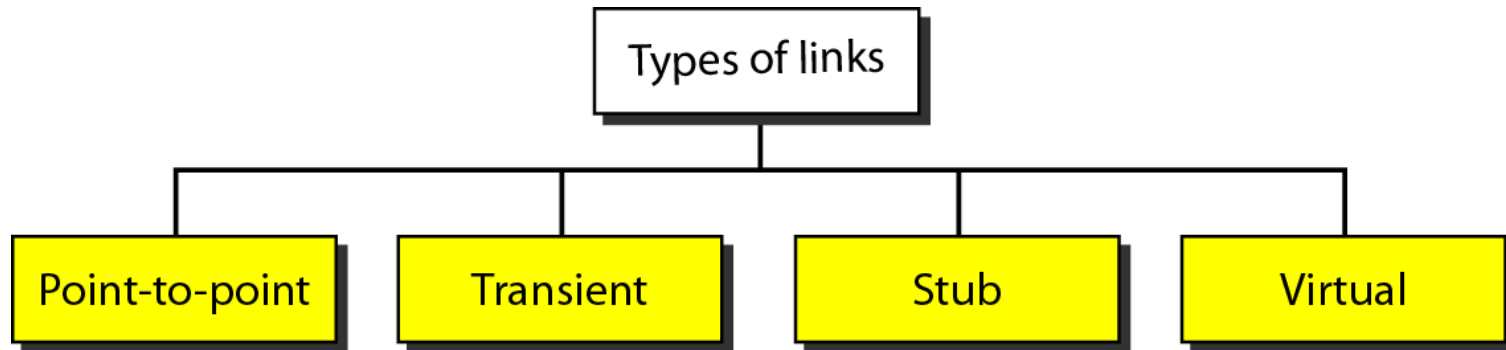


Figure-3

Point-to-point link

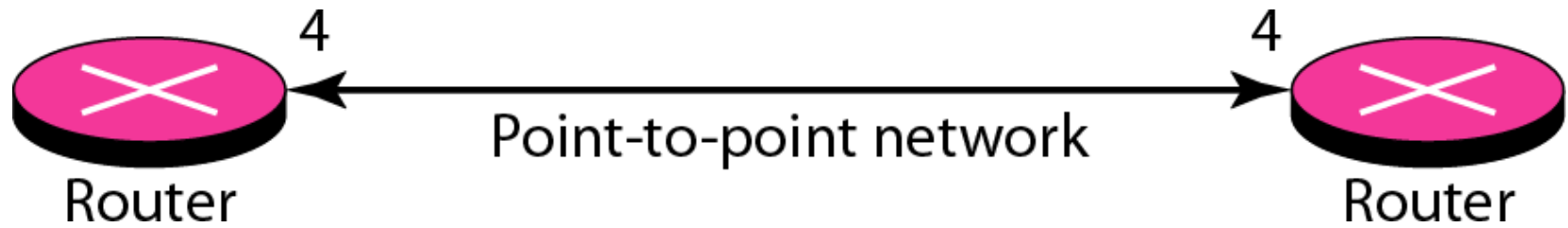
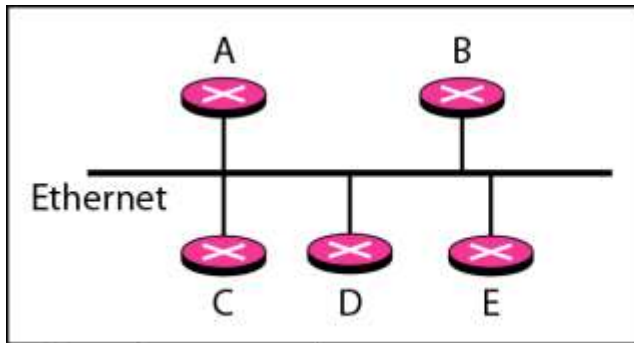
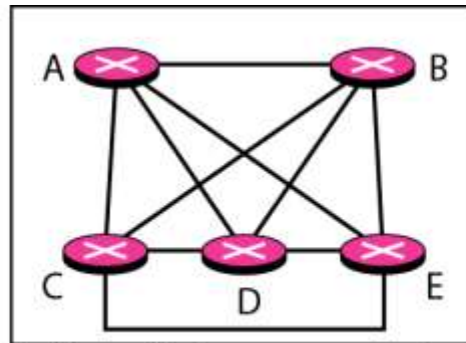


Figure-4

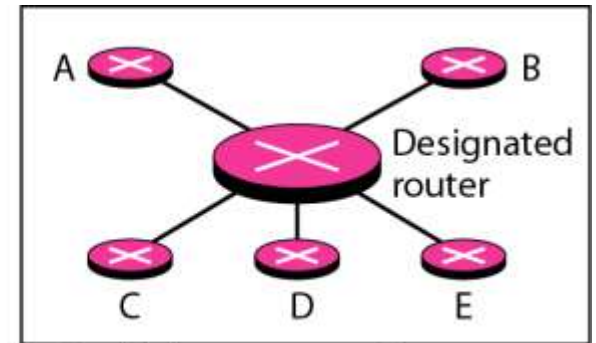
Transient link



a. Transient network



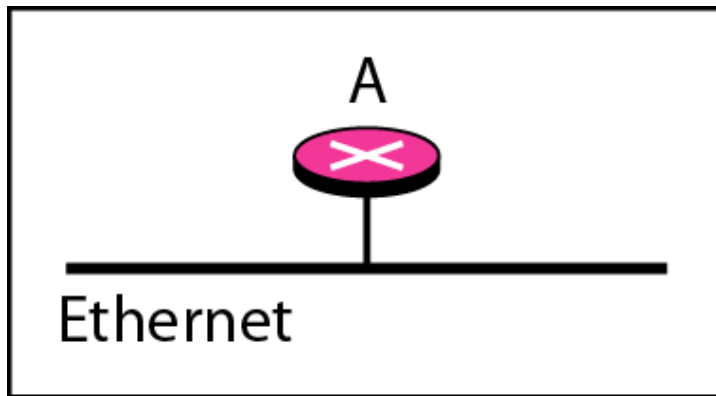
b. Unrealistic representation



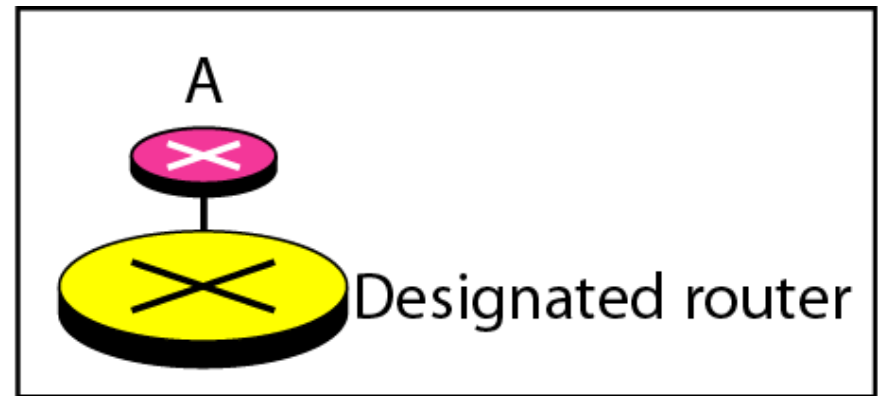
c. Realistic representation

Figure-5

Stub link



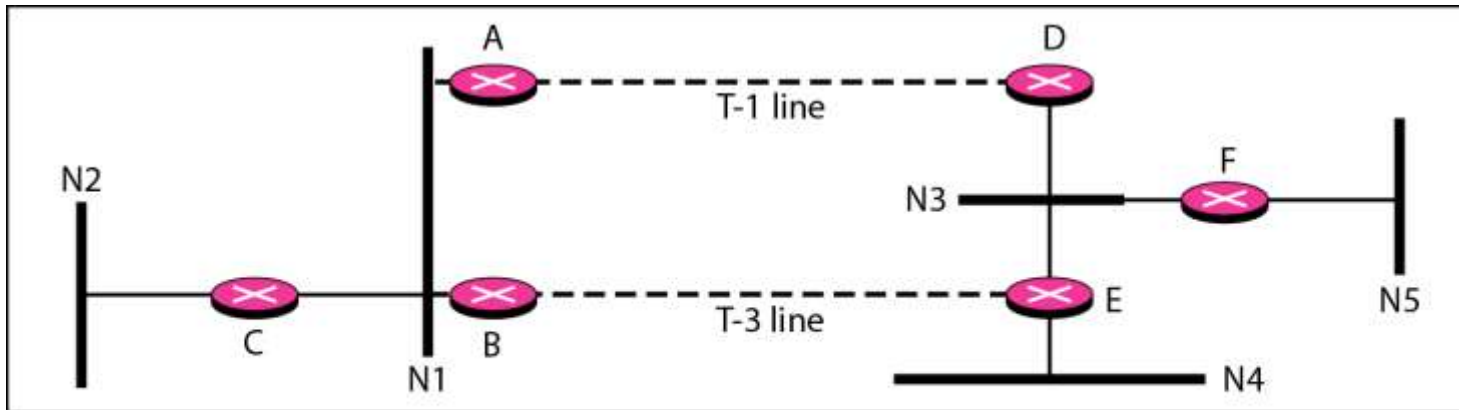
a. Stub network



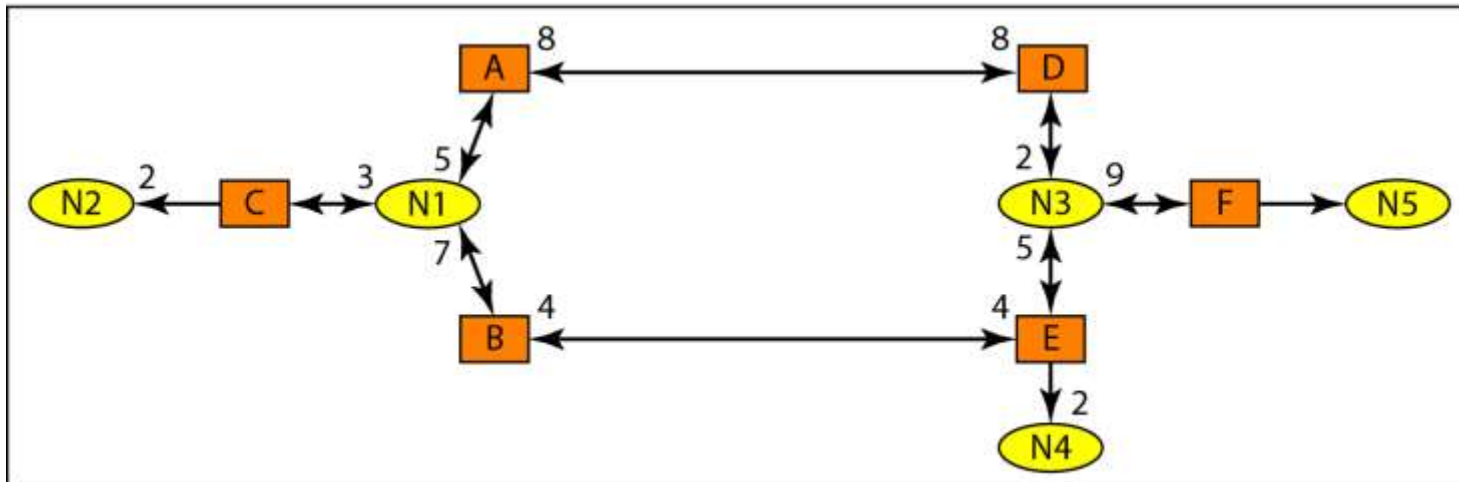
b. Representation

Figure-6

Example of an AS and its graphical representation in OSPF



a. Autonomous system



b. Graphical representation

References

- 1. Computer Networks, A. S. Tenenbaum, D. J. Wetheral, Pearson India.***
 - 2. Data Communications and Networking, B.A. Forouzan, Tata McGraw Hill Education Private Limited.***
 - 3. Data and Computer Communications, William Stallings, Pearson-Prentice Hall.***
-